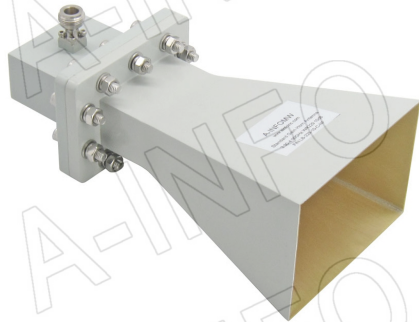


For reference only. See data sheet for the detailed specifications.

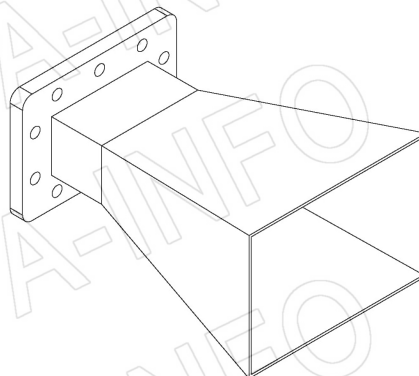
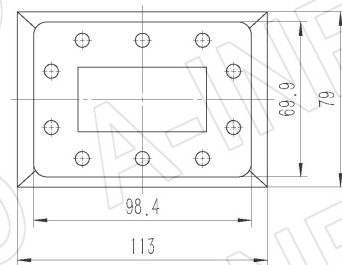
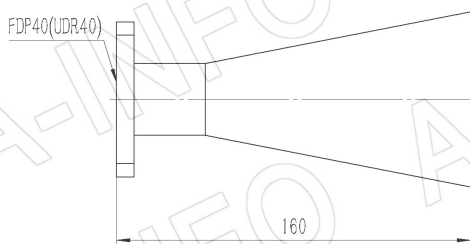
## Technical Specification



Frequency Range(GHz)	3.3 – 4.9
Waveguide	WR229
Gain(dBi)	10 Typ.
Polarization	Linear
3dB Beamwidth(deg)	E Plane: 50 Typ.
	H Plane: 44 Typ.
Cross Pol. Isolation(dB)	30 Typ.
VSWR	A Type: 1.15:1 Typ.
	C Type: 1.25:1 Typ.
Output	A Type: FDP40(UDR40)
	N-Female or SMA-Female C Type: or TNC-Female or 7mm or 3.5mm-Female
Material	Al
Finish	Chemical Conversion Coating, Gray Paint
Size(mm)	A Type: 113 x 79 x 160
	C Type: 113 x 80.5 x 225
Net Weight(Kg)	A Type: 0.30 Around
	C Type: 0.60 Around

## Outline Drawing (Size: mm)

FDP40 Output (P/N: LB-229-10-A)



**AINFO Inc.**

China(Beijing): Tel: (+86) 10-6266-7326,  
China(Chengdu): Tel: (+86) 28-8519-2786,  
USA : Tel: (+1) 949-639-9688,

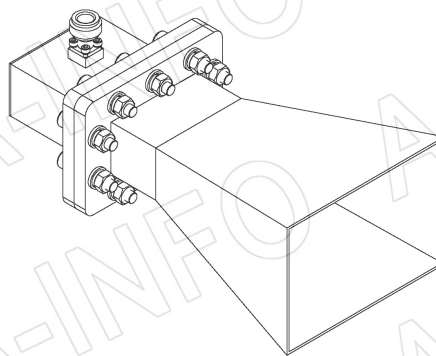
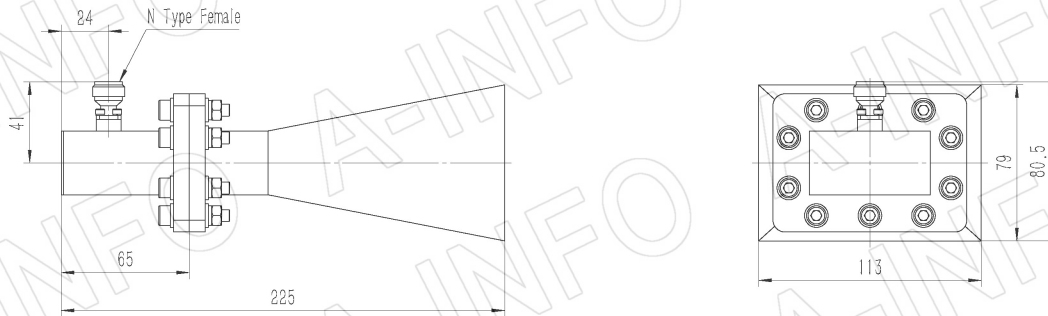
Page 1 of 10

(+86) 10-6266-7327 Fax: (+86) 10-6266-7379  
(+86) 28-8519-3044 Fax: (+86) 28-8519-3068  
(+1) 949-639-9608 Fax: (+1) 949-639-9670

Website: [www.ainfoinc.com](http://www.ainfoinc.com)  
Email: [sales@ainfoinc.com](mailto:sales@ainfoinc.com)

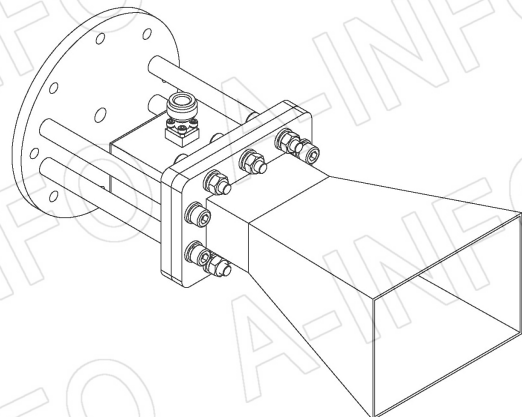
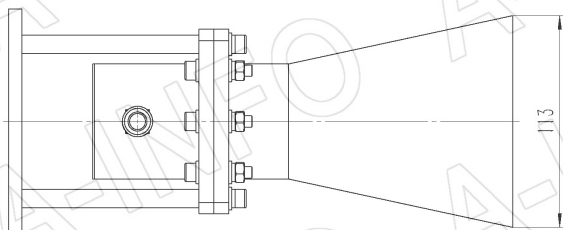
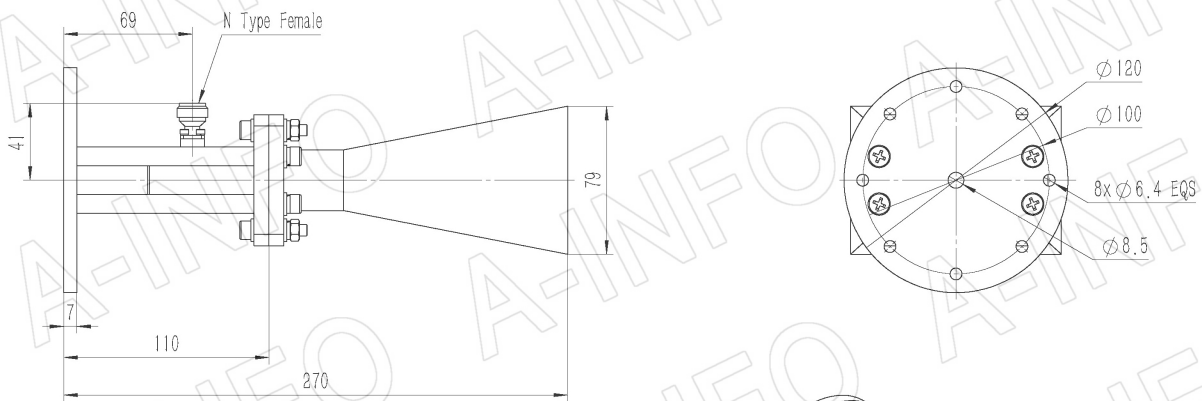
## N-Female Output (P/N: LB-229-10-C-NF)

For SMA-Female, TNC- Female, 7mm or 3.5mm-Female output outline drawing, please contact A-INFO.



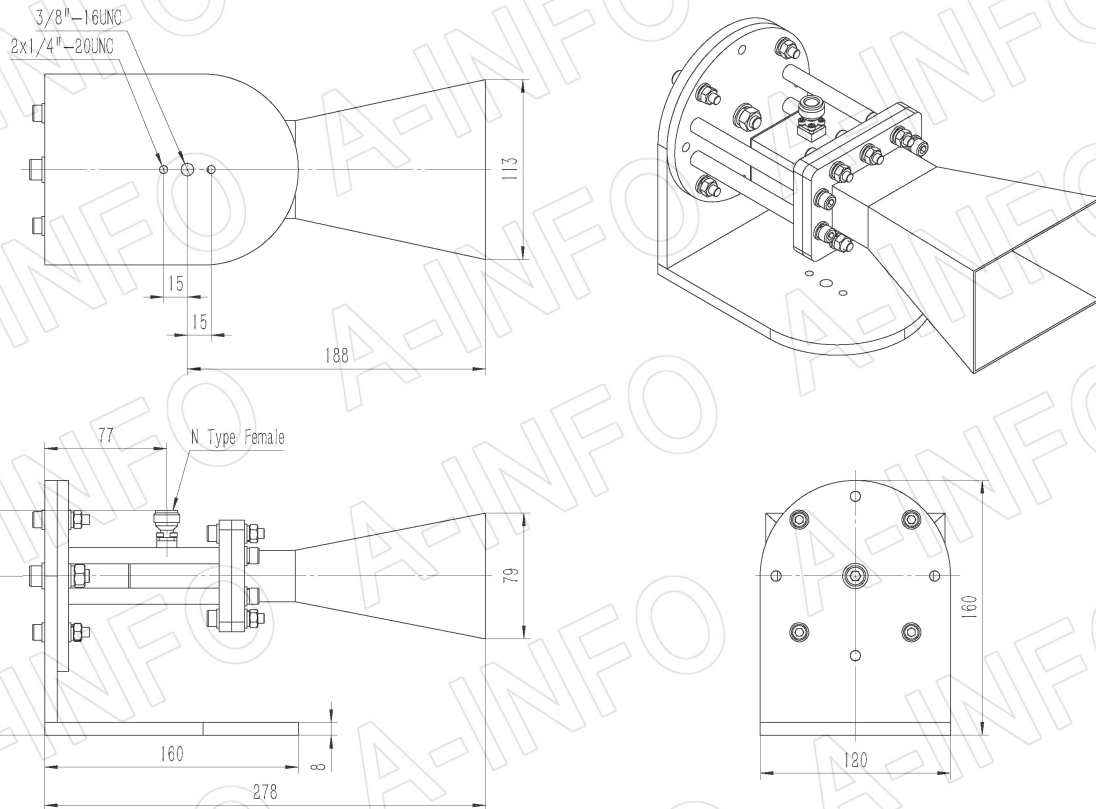
## N-Female Output with Round Mounting Bracket (Option, P/N: LB-229-10-C-MB)

For SMA-Female, TNC- Female, 7mm or 3.5mm-Female output outline drawing, please contact A-INFO.

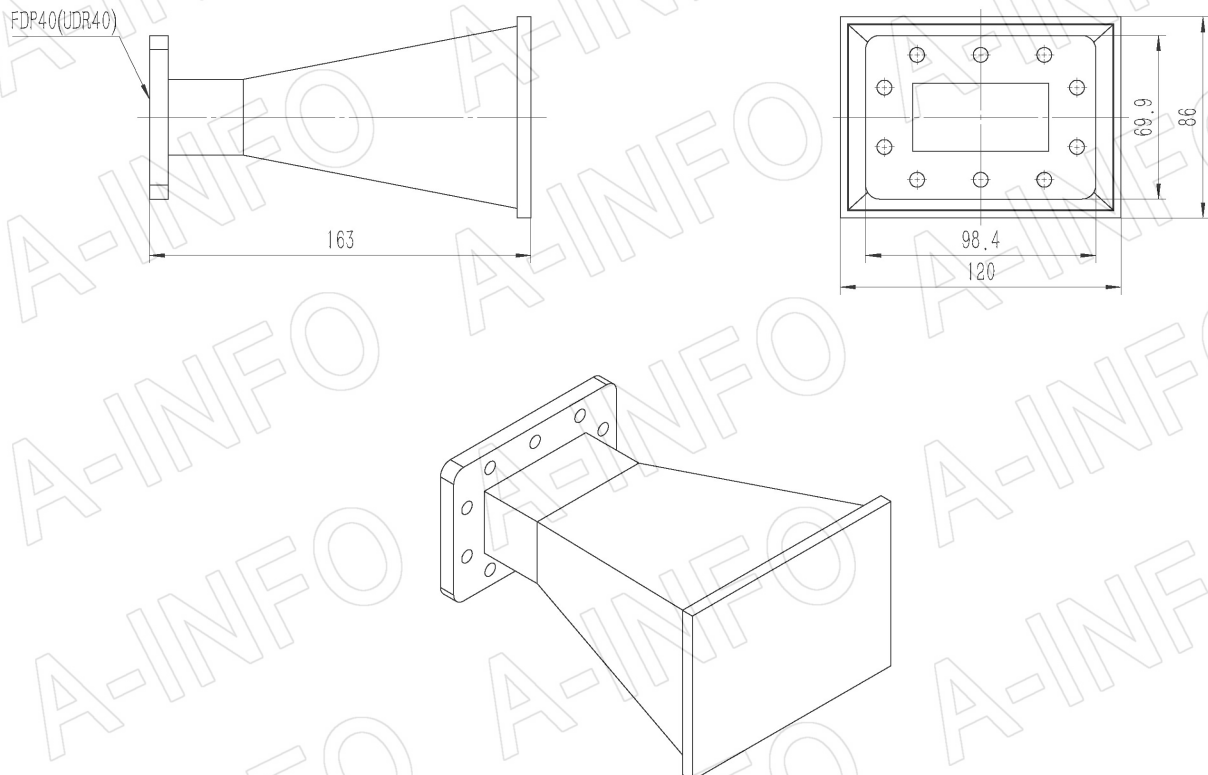


## N-Female Output with L Type Mounting Bracket (Option, P/N:LB-229-10-C-MBL)

For SMA-Female, TNC- Female, 7mm or 3.5mm-Female output outline drawing, please contact A-INFO.



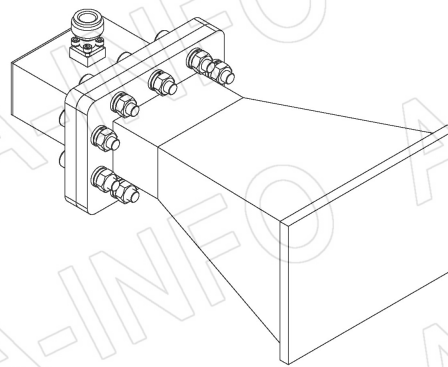
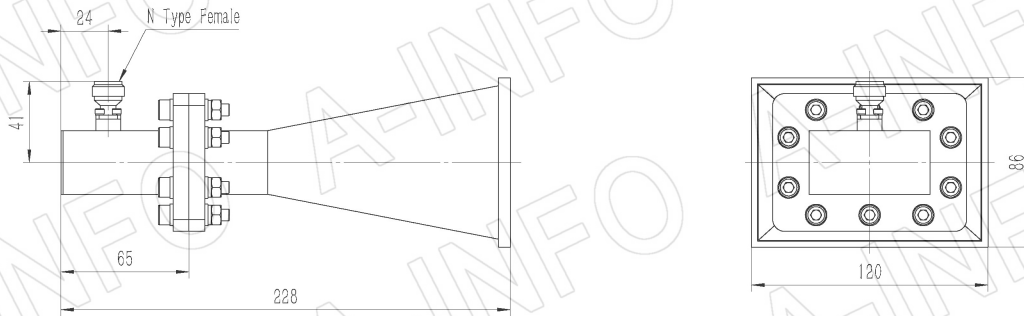
## FDP40 Output with Radome (Option, P/N: LB-229-10-ASPO, Outdoor Application)





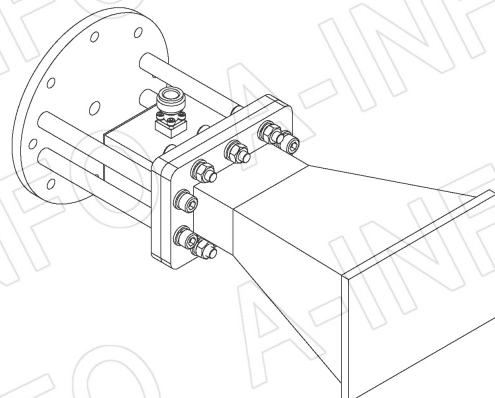
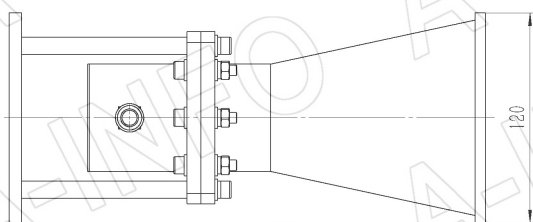
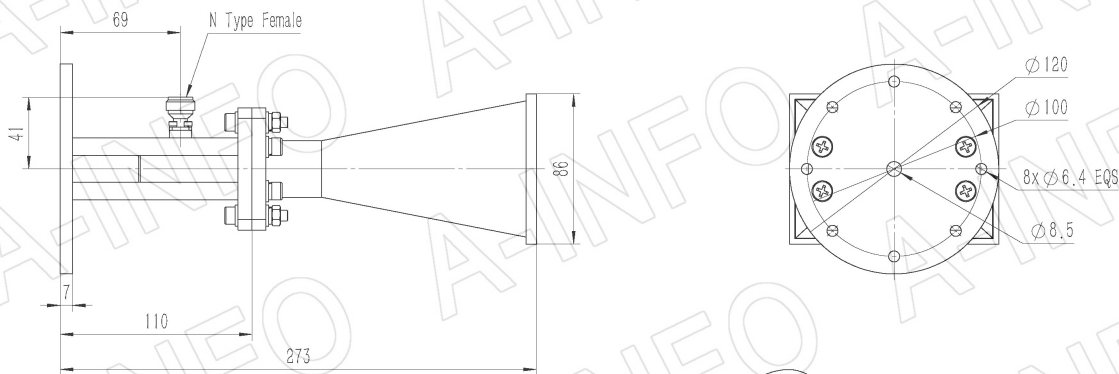
## N-Female Output with Radome (Option, P/N: LB-229-10-C-NFSP0, Outdoor Application)

For SMA-Female, TNC- Female, 7mm or 3.5mm-Female output outline drawing, please contact A-INFO.



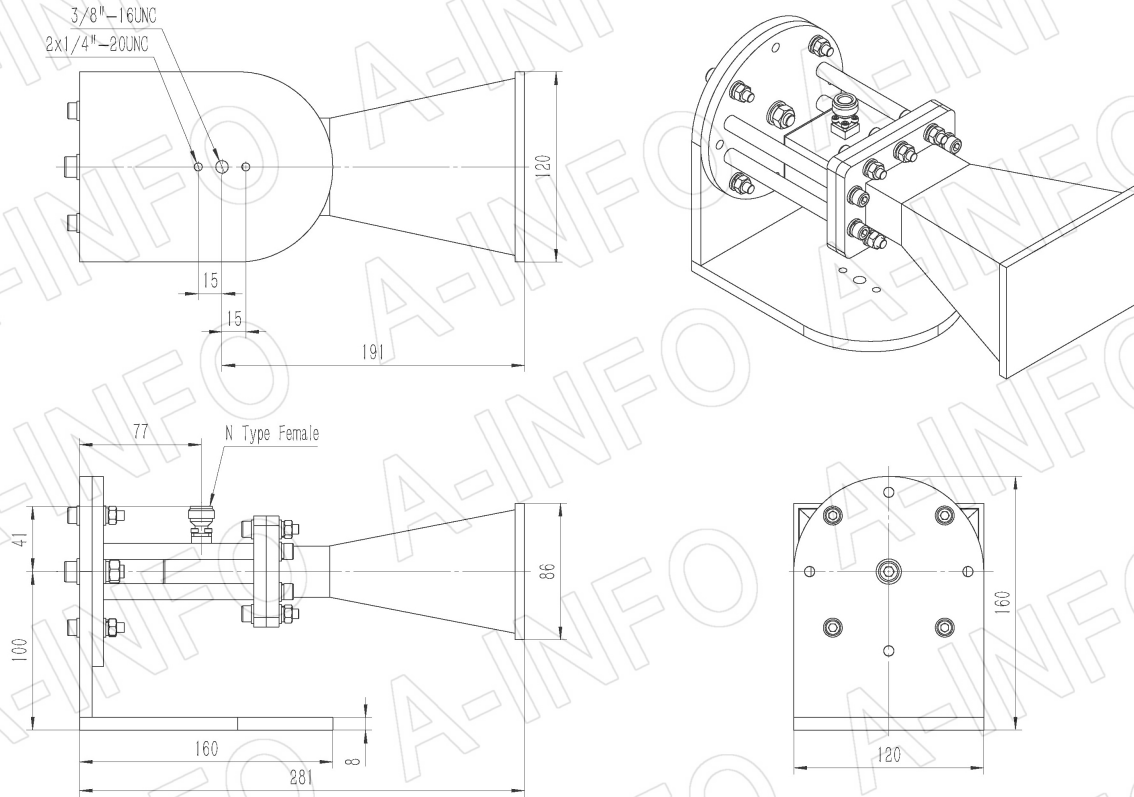
## N-Female Output with Round Mounting Bracket & Radome (Option, P/N: LB-229-10-C-MB & LB-229-10-C-NFSP0, Outdoor Application)

For SMA-Female, TNC- Female, 7mm or 3.5mm-Female output outline drawing, please contact A-INFO.

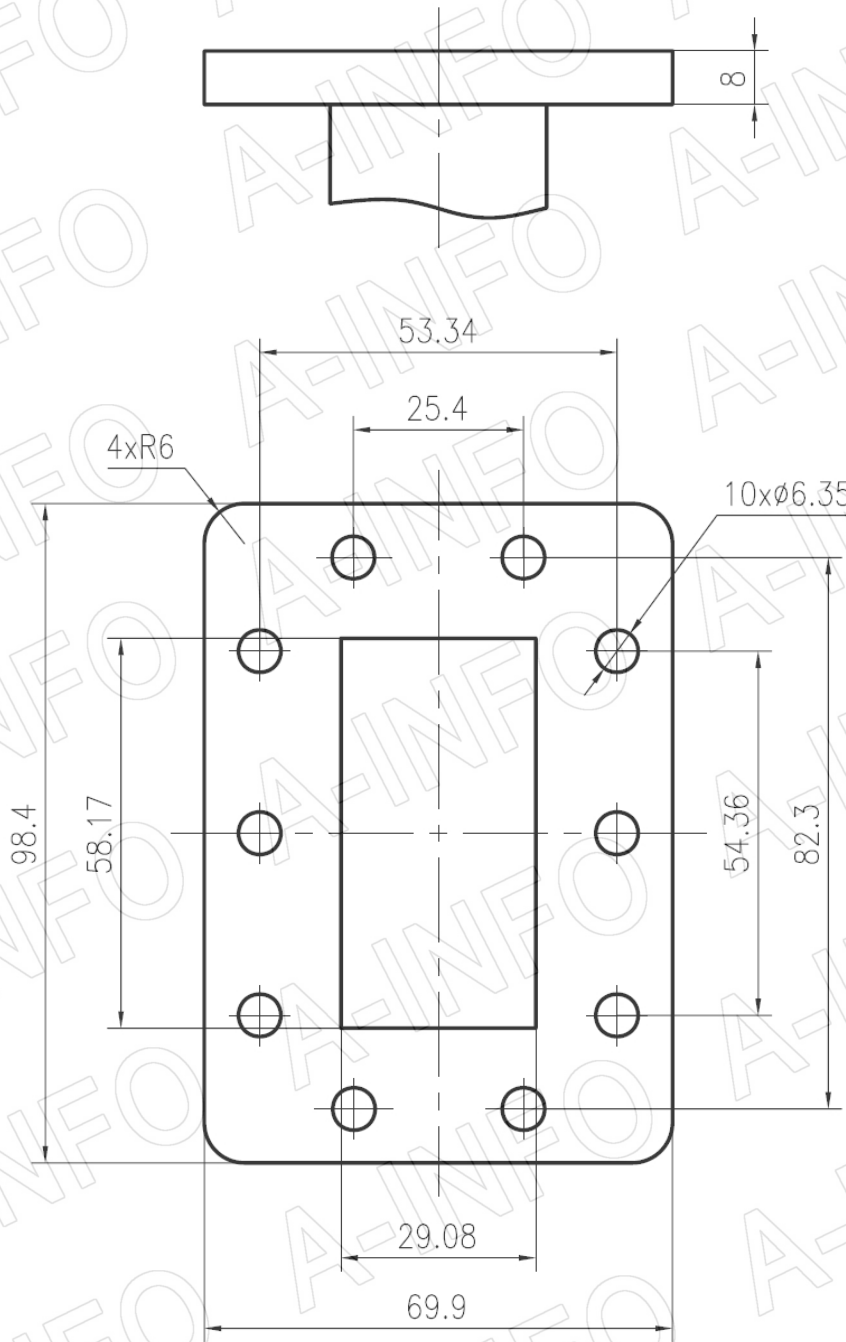


**N-Female Output with L Type Mounting Bracket & Radome (Option, P/N: LB-229-10-C-MBL & LB-229-10-C-NFSP0, Outdoor Application)**

For SMA-Female, TNC- Female, 7mm or 3.5mm-Female output outline drawing, please contact A-INFO.



## Flange Drawing (Size: mm)



### FDP40

**AINFO Inc.**

China(Beijing): Tel: (+86) 10-6266-7326,  
 China(Chengdu): Tel: (+86) 28-8519-2786,  
 USA : Tel: (+1) 949-639-9688,

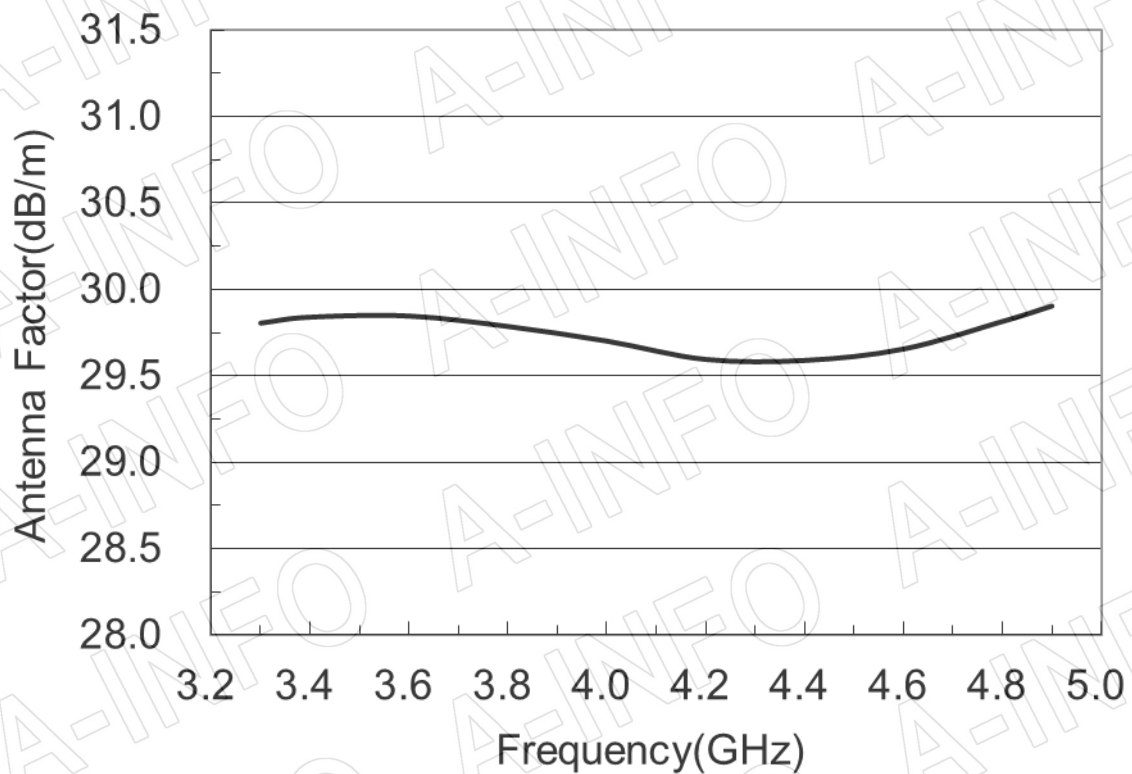
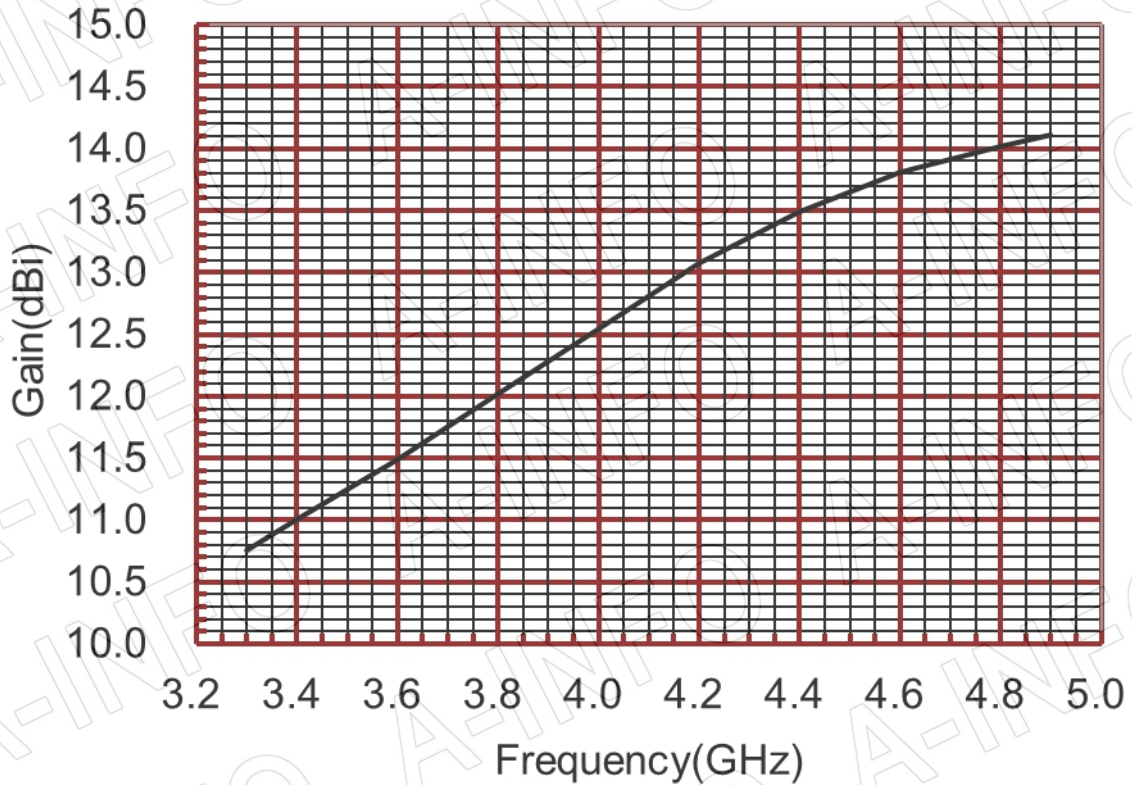
Page 6 of 10

(+86) 10-6266-7327 Fax: (+86) 10-6266-7379  
 (+86) 28-8519-3044 Fax: (+86) 28-8519-3068  
 (+1) 949-639-9608 Fax: (+1) 949-639-9670

Website: [www.ainfoinc.com](http://www.ainfoinc.com)  
 Email: [sales@ainfoinc.com](mailto:sales@ainfoinc.com)

## Test Results

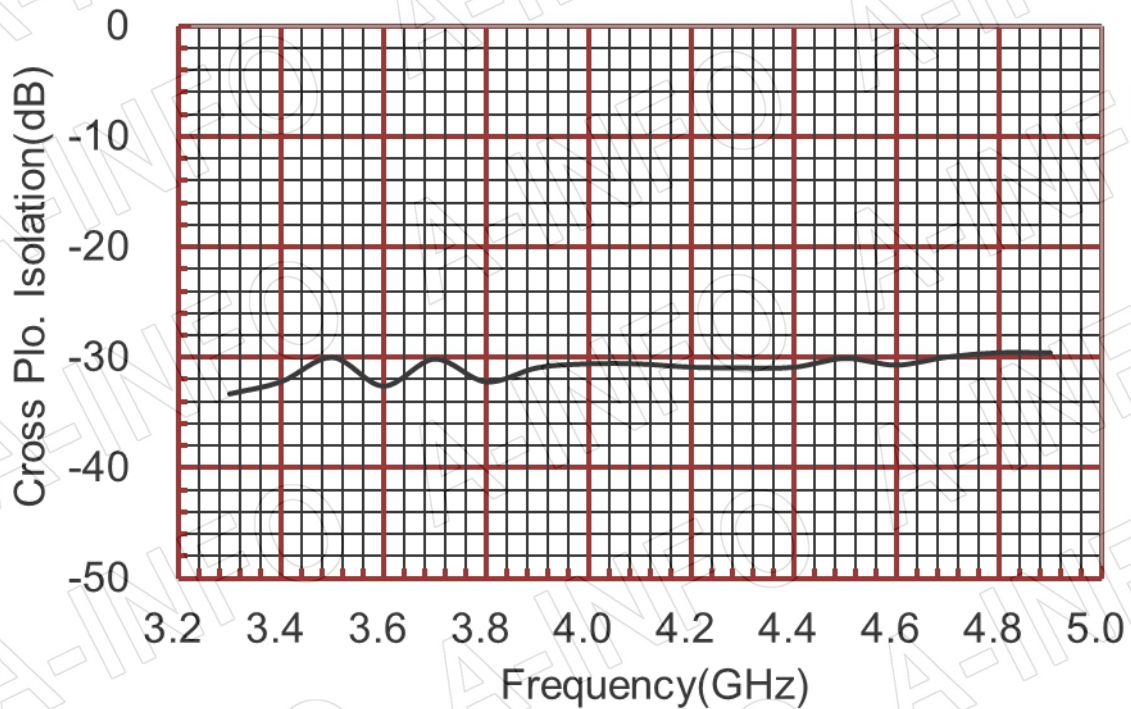
### 1. Gain & Antenna Factor





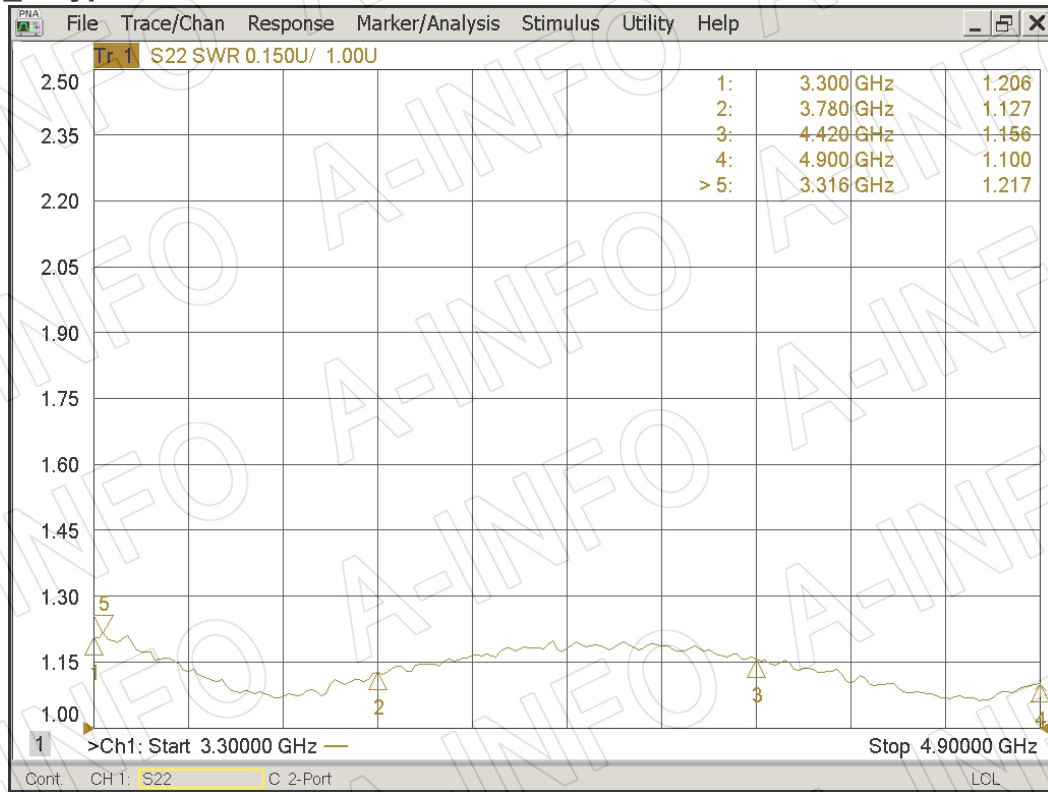
Frequency(GHz)	Gain(dBi)	Antenna Factor(dB/m)
3.2	10.55	29.82
3.4	11.00	29.84
3.6	11.49	29.85
3.8	12.02	29.79
4.0	12.55	29.70
4.2	13.08	29.59
4.4	13.49	29.59
4.6	13.81	29.66
4.8	14.02	29.81
4.9	14.11	29.90

## 2. Cross Polarization Isolation

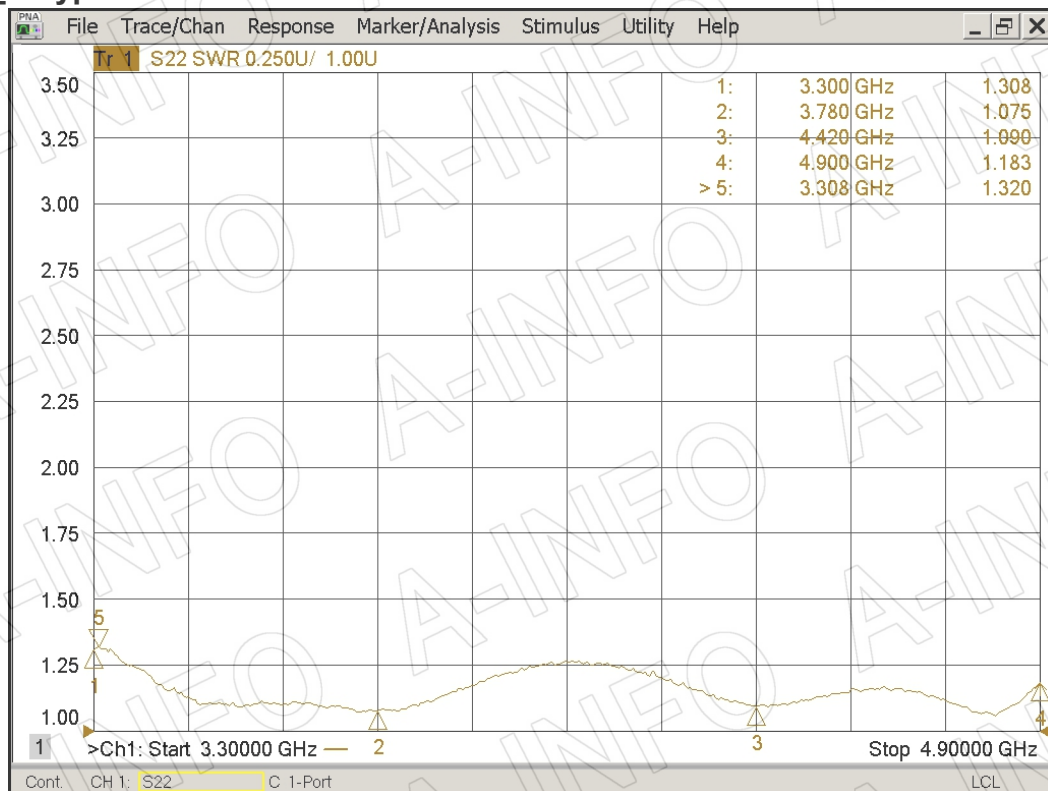




### 3. VSWR\_A Type



### VSWR\_C Type



## 4. Pattern

